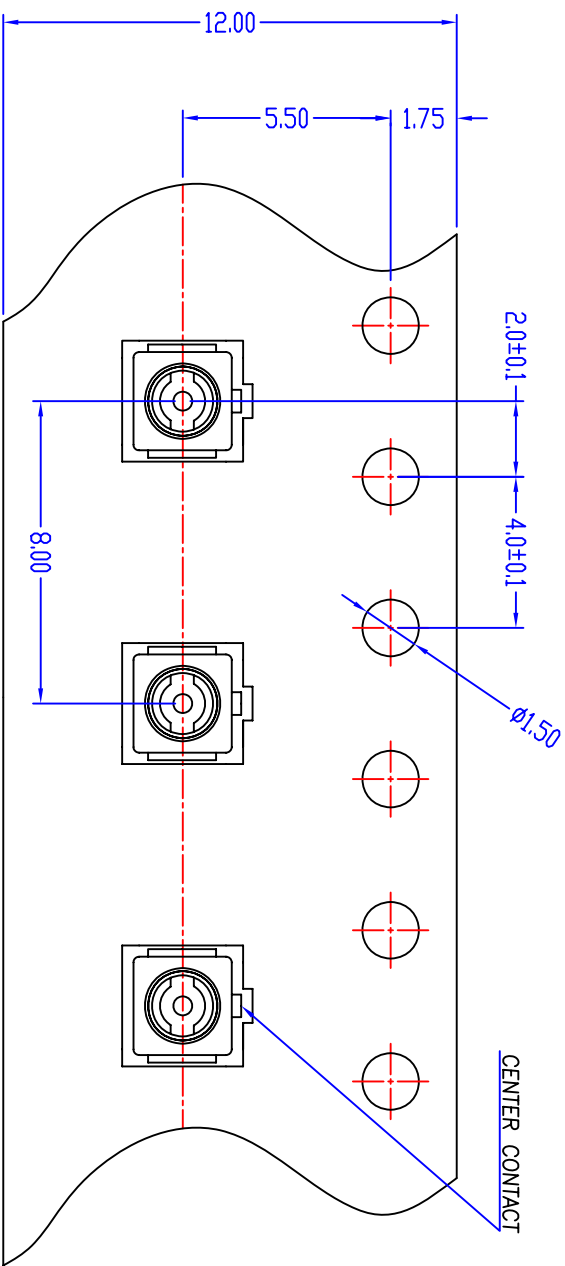


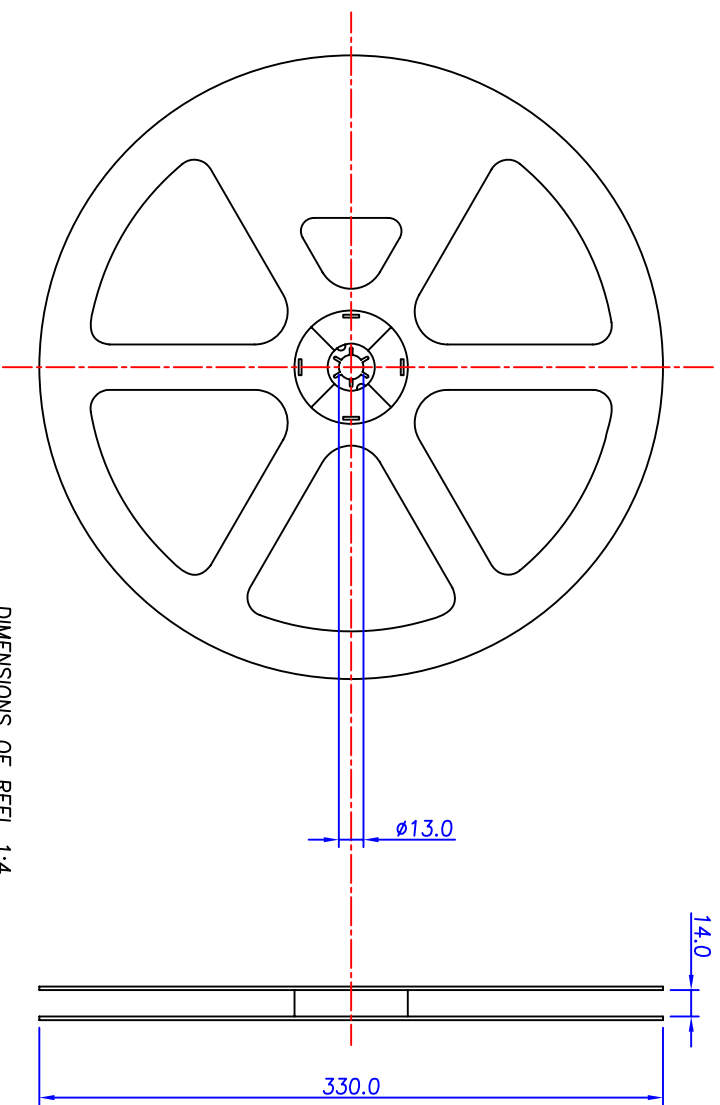
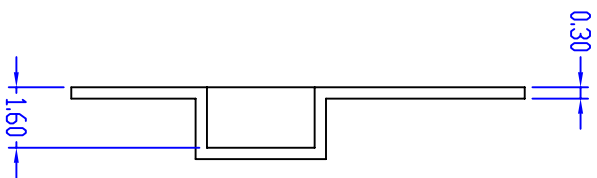
RECOMMENDED P.C.B. PATTERN

Ground Contact	Brass	Gold Plating
Center Contact	Brass	Gold Plating
Housing	LCP(UL94V-0)	
Description	Material	Finish

TITLE	Ultra-Miniature Coaxial SMT Connectors		DATE	052406	SHEET	1 of 2
UNIT	DWG. NO.	80004				
mm[in.]						
SCALE	10:1					
<b>NEARSON</b>						
<a href="http://www.nearson.com">http://www.nearson.com</a>						



DIMENSIONS OF TAPING 5:1



DIMENSIONS OF REEL 1:4

TITLE	Ultra-Miniature Coaxial SMT	DATE		SHEET	
UNIT	mm	DWG. NO.	80004		
SCALE				2 of 2	
		<b>NEARSON</b>			